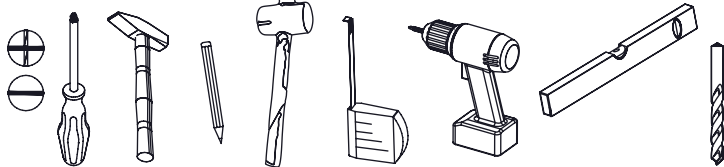
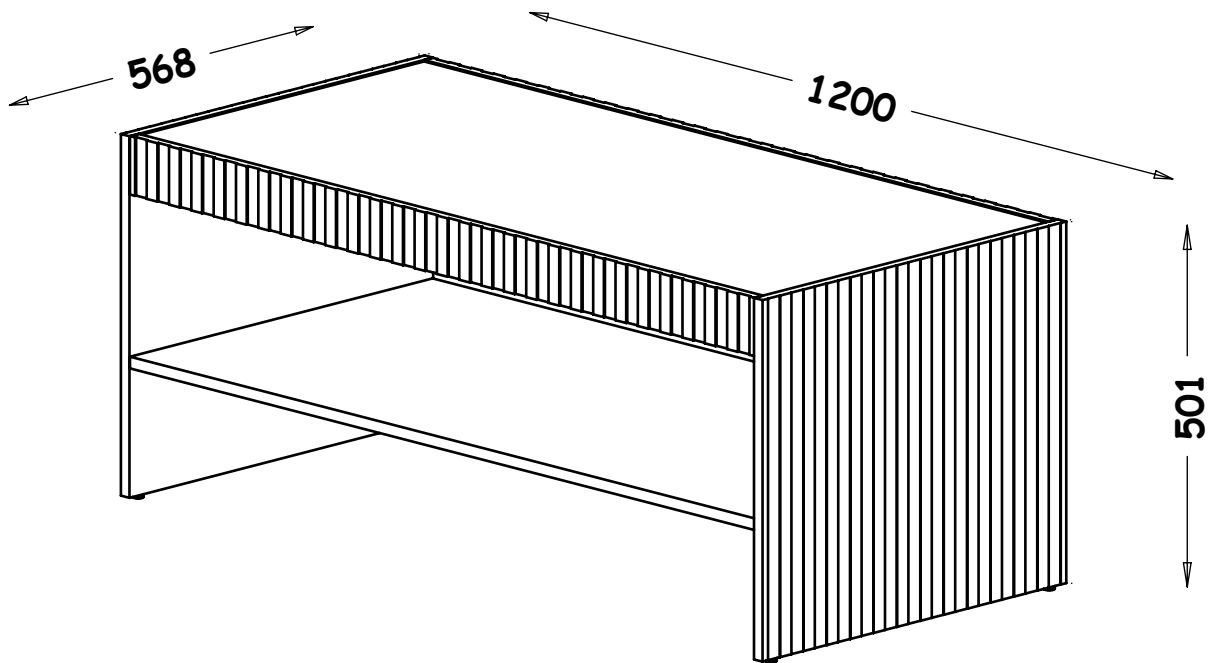
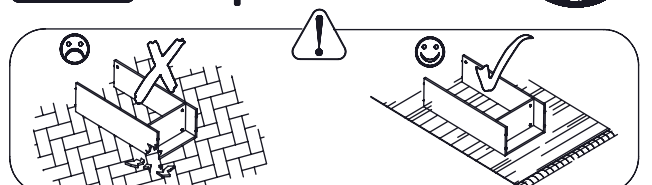


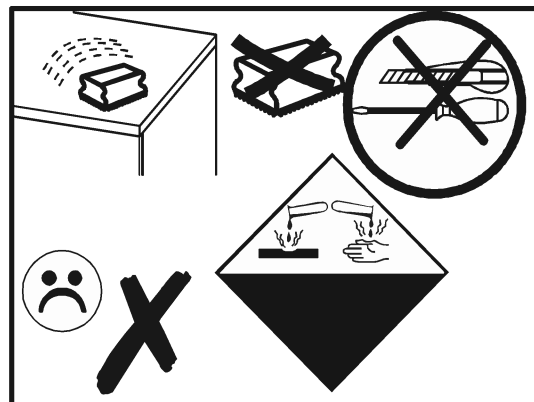
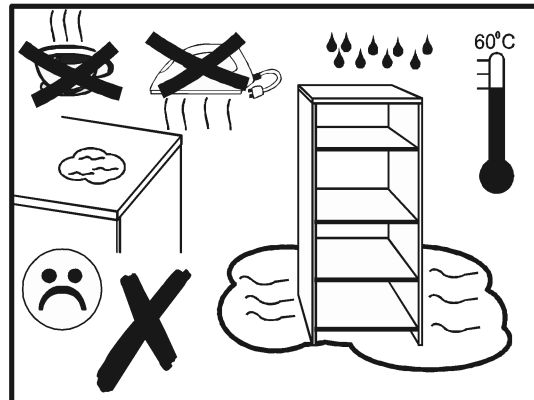
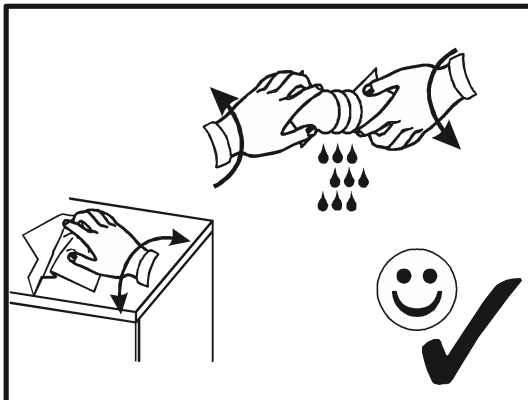
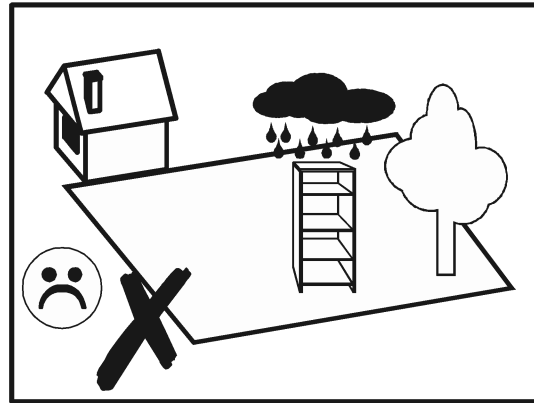
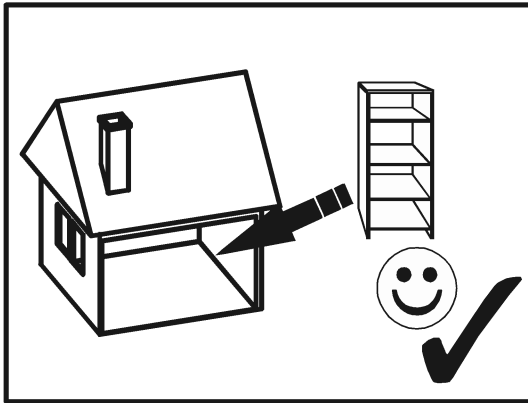
VAMOS



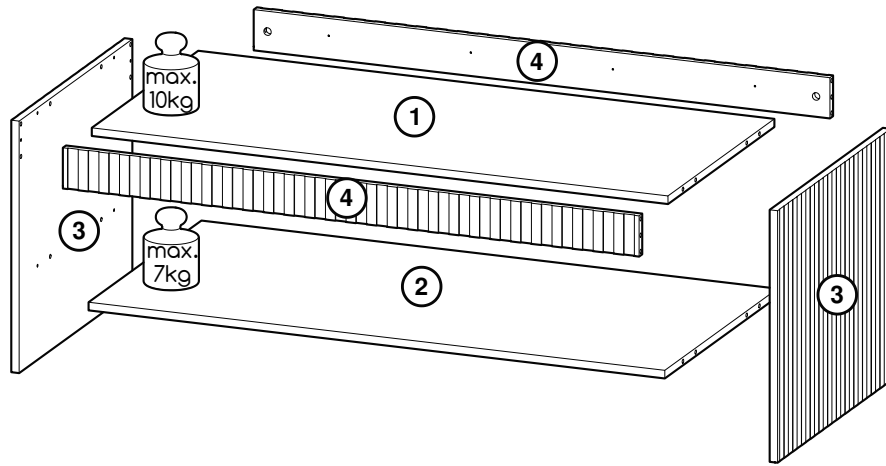
[1]



v 1.0

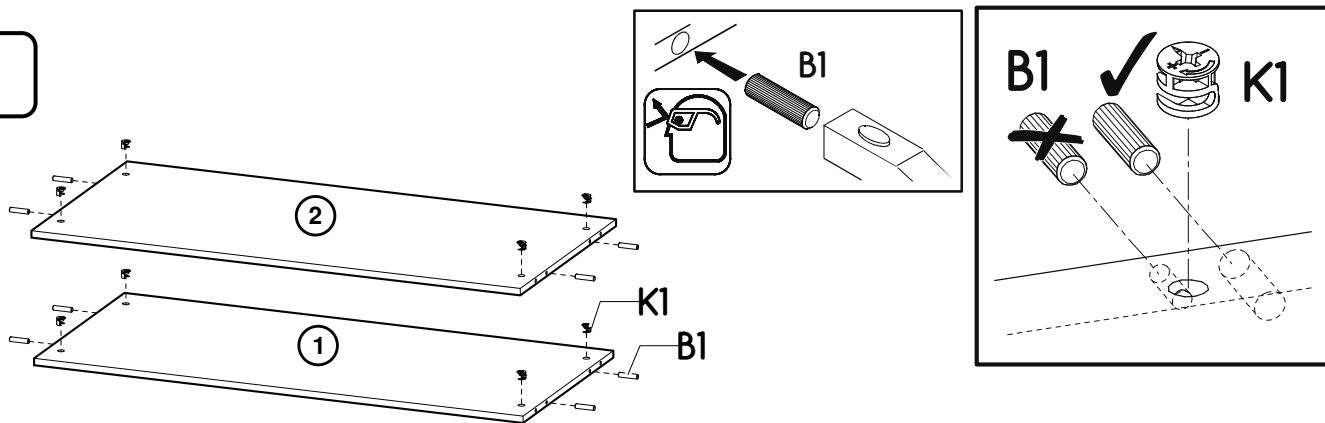


Nr	Xmm	Ymm	Zmm	x
1	1168	534	16	1
2	1168	566	16	1
3	495	568	16	2
4	1168	80	16	2



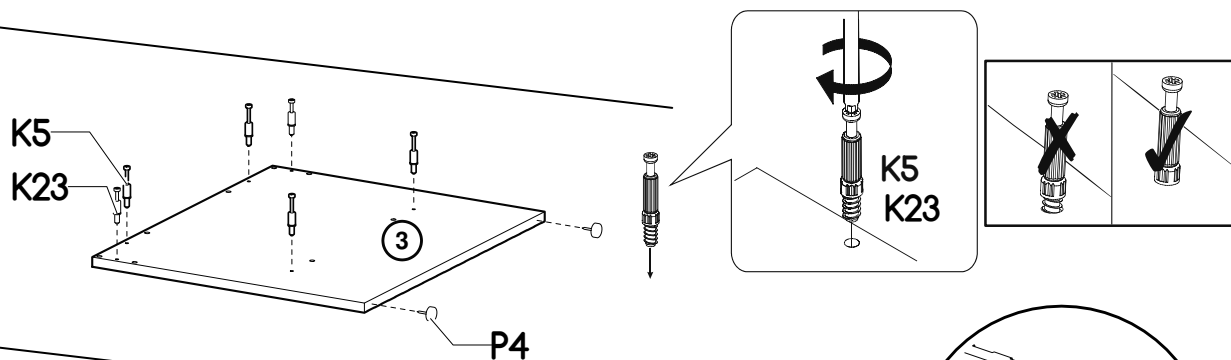
F13 8x 24x24x20 	G36 16x 3,5x13 	K1 12x Ø15x12 	K23 4x 28mm 	I20 12x Ø4/Ø17 	B8 8x Ø8x30
P4 4x Ø15 	B1 8x Ø8x35 	K5 8x 34mm 			

I



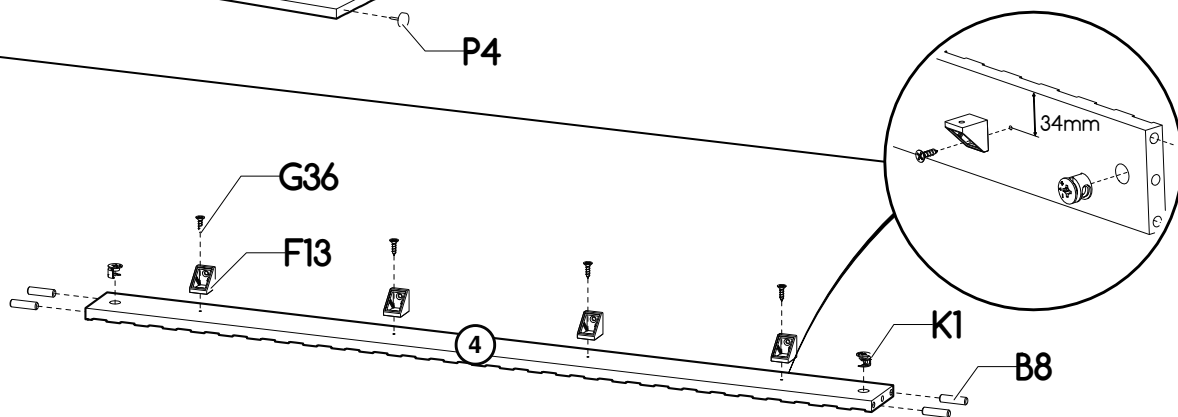
II

x2



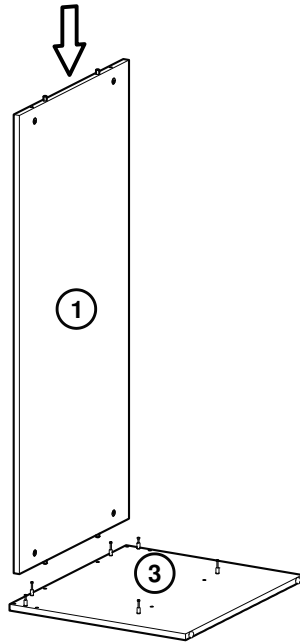
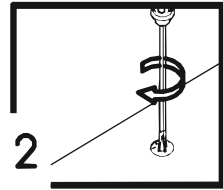
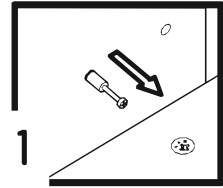
III

x2

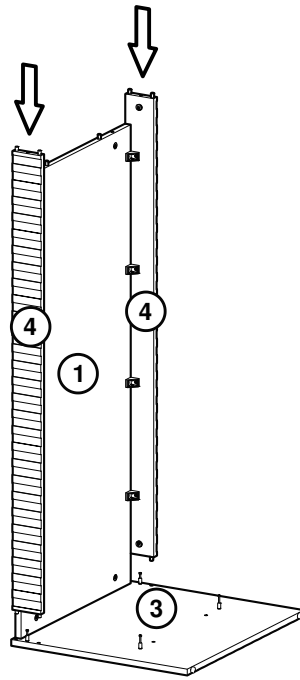


IV

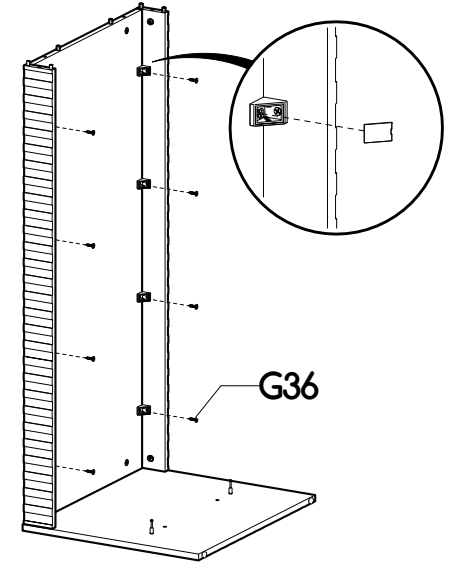
i



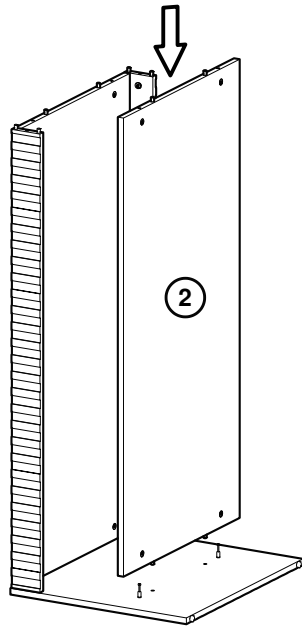
V



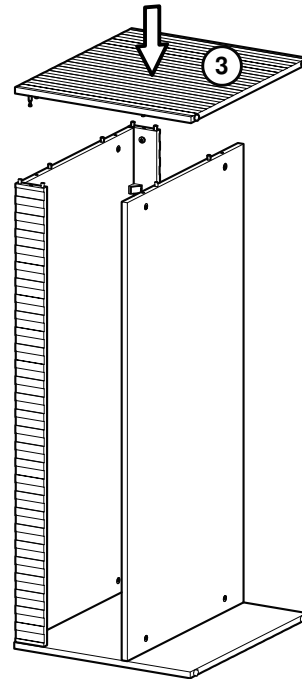
VI



VII



VIII



IX

